

PHILIPS OPTIMUM

High Bay

G21L



Project: _____
 Location: _____
 Cat.No: _____
 Type: _____
 Notes: _____

A high efficiency, 21" wide LED high bay capable of replacing up to 1000W HID luminaires. Designed with low cost of ownership in mind, the G21L is an economical full body fixture that takes advantage of high efficiency, long life LED technology. The hinged LED tray pivots down with a quick release, allowing for immediate access to all internal fixture components. This unique design adds the benefit of quick, easy fixture maintenance.

Ordering guide

Example: G21LP 4FT 48L UV 850

Family	Length	Lumens ¹	Voltage	CRI/CCT	Hanging	Options
<input type="text"/>	<input type="text" value="4FT"/>	<input type="text"/>	<input type="text" value="UV"/>	<input type="text"/>	<input type="text"/>	<input type="text"/>
G21L G21LP Economical pre-painted body	4FT Length	32L 32,000 40L 40,000 48L 48,000	UV 120-277V	835 80+ CRI/3500K 840 80+ CRI/4000K 850 80+CRI/5000K	Blank V-Chain Hangers JB Slide-On Junction Box PS Pendant Stabilizer QC Quick Hang Cable (10') QC() Quick Hang Cable (Specify Length) SPSH 12" Stem/PS/Hook SPST 12" Stem/PS/Toggle	C() Single Circuit Cord (Specify Length) 6T1 6' Cord with L5-15 Locking End 6T2 6' Cord with L7-15 Locking End E() Emergency Pack (# Lumens) F Inline Fuse SC Safety Cable WG Wire Guard (Unpainted) WWG White Wire Guard 20G 20 Gauge PC Photocell SDT 480V-277V Step Down Transformer OS Occupancy Sensor(on/off) OS(DIM) Occupancy Sensor (on/off/dim) FSP-211 Programmable Occupancy Sensor (on/off/dim) ²

1. Nominal delivered lumens.

2. Initial sensor setup and subsequent adjustments are made using FSIR-100 handheld configuration tool, sold separately.

G21L - High Bay

Accessories (order separately)

FSIR-100: Handheld remote configuration tool for FSP-211

Applications

- General Areas
- Warehouses
- Manufacturing
- Open construction retail
- Gymnasiums (with Wire Guard)

Features

- 0-10V dimming drivers standard on all models
- Hinged LED tray pivots down for easy access to internal fixture components.
- Future proof design: LED light engines and drivers are field replaceable and can be upgraded when newer, more efficient technology becomes available.
- Replaces up to 1000W HID high bays

Product Construction

The G21L fixture body is brake formed from heavy gauge cold rolled steel. Ends are permanently riveted together for strength and rigidity. The LED assembly is precision brake formed from aluminum. This one piece heat conducting assembly, along with the fixtures' arc bottom, provide an exceptional means of heat dissipation, allowing for higher lumen output and increased LED system life. The housing and LED tray are painted with a highly durable, highly reflective, white powder-coat finish.

Mounting Methods

G21L fixtures offer flexible mounting methods that most commonly include: standard V-chain hangers and Y-style quick hang cable kit. There are several other mounting options available that can be seen in the ordering guide.

Predicted L70 Lifetime

60,000hrs @ 25°C Ambient (based on LM-80 and TM-21 data).

Warranty

5 Year limited system warranty. See www.philips.com/optimum for warranty details.

Listings

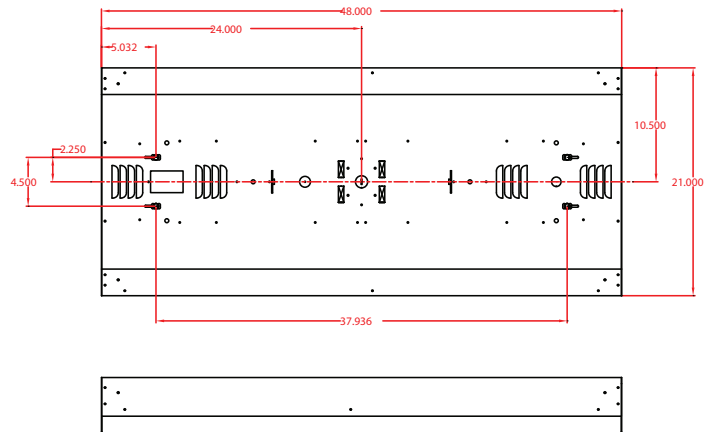
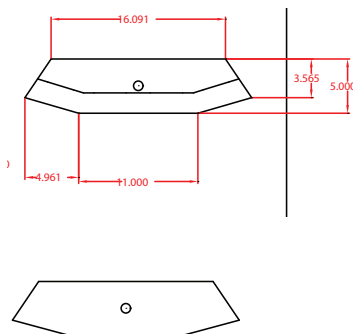
- All fixtures are ETL approved.

Wattages

Catalog No.	Nominal Wattage
G21L 4FT 32L UV	300W
G21L 4FT 40L UV	375W
G21L 4FT 48L UV	450W

Note: Wattage draw subject to change without notice. Consult factory for most up to date specifications.

Schematic Drawing

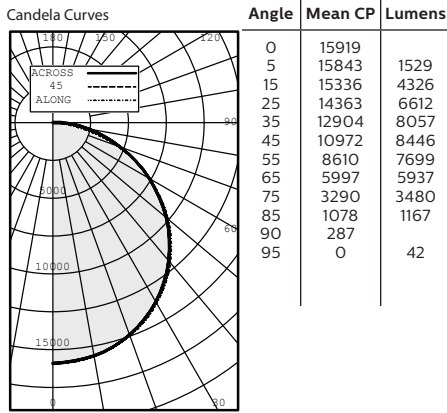


Fixture dimensions subject to change without notice. Consult factory for most up to date schematics.

G21L - High Bay

Photometric Indoor Test Report

G21L 4FT 48L UV 850



Angle	Mean CP	Lumens
0	15919	1529
5	15843	4326
15	15336	6612
25	14363	8057
35	12904	8446
45	10972	7699
55	8610	5937
65	5997	3480
75	3290	1167
85	1078	287
90	287	0
95	0	42

Zonal Lumens and percentages		
Degrees	Lumens	% Fixture
0-30	12467	26.36
0-40	20524	43.40
0-60	36669	77.53
0-90	47253	99.91
40-90	26729	56.52
60-90	10584	22.38
90-180	42	0.09
0-180	47295	100.0

Luminance summary CD./SQ.M.			
Angle	Along	45	Across
45	23198	22078	21932
55	22211	20666	20626
65	20326	18526	18789
75	15668	14867	16197
85	5672	9689	12919

Coefficients of utilization

Ceiling	80%				70%		50%		30%		0%
Wall	70	50	30	10	50	10	50	10	50	10	0
RCR	Zonal cavity method - Effective floor reflectance = 20%										
0	119	119	119	119	116	116	111	111	106	106	100
1	109	105	100	97	102	95	98	92	94	89	84
2	100	92	86	80	90	79	87	77	83	76	72
3	91	81	73	67	80	67	77	65	74	64	61
4	84	72	64	58	71	57	69	57	67	56	53
5	77	65	56	50	64	49	61	49	60	48	46
6	71	58	49	43	57	43	55	42	53	42	40
7	65	52	43	37	51	37	49	37	48	36	34
8	61	47	39	33	46	32	45	32	44	32	30
9	56	43	34	29	42	29	41	28	40	28	26
10	52	39	31	25	38	25	37	25	36	25	23

Comparative yearly lighting energy cost per 1000 lumens – \$2.26 based on 3000 hrs. and \$.08 per KWH.

The photometric results were obtained in the Underwriters Laboratories which is NVLAP accredited by the National Institute of Standards and Technology.

Photometric values based on test performed in compliance with LM-79.

622239

Output lumens:	47295lms	Efficacy:	106.0lm/w
Input Watts:	446.3W	CCT:	5000K
Spacing Criterion:	1.3	CRI:	>80

Warnings & Cautions

Certain luminaire components may be adversely affected by contaminants. If sulfur, chlorine, or petroleum based solutions, or other contaminants will be in the area of operation, please consult factory as damage caused by these contaminants are not covered under our warranty.

© 2014 Koninklijke Philips N.V. All rights reserved.
Philips reserves the right to make changes in specifications and/or to discontinue any product at any time without notice or obligation and will not be liable for any consequences resulting from the use of this publication.
philips.com/optimum



Philips Lighting North America Corporation
200 Franklin Square Drive, Somerset, NJ 08873
Tel. 855-486-2216

Imported by: Philips Lighting
A division of Philips Electronics Ltd.
281 Hillmount Rd, Markham, ON, Canada L6C 2S3
Tel. 800-668-9008